

# CLARK COMPONENTS INTERNATIONAL

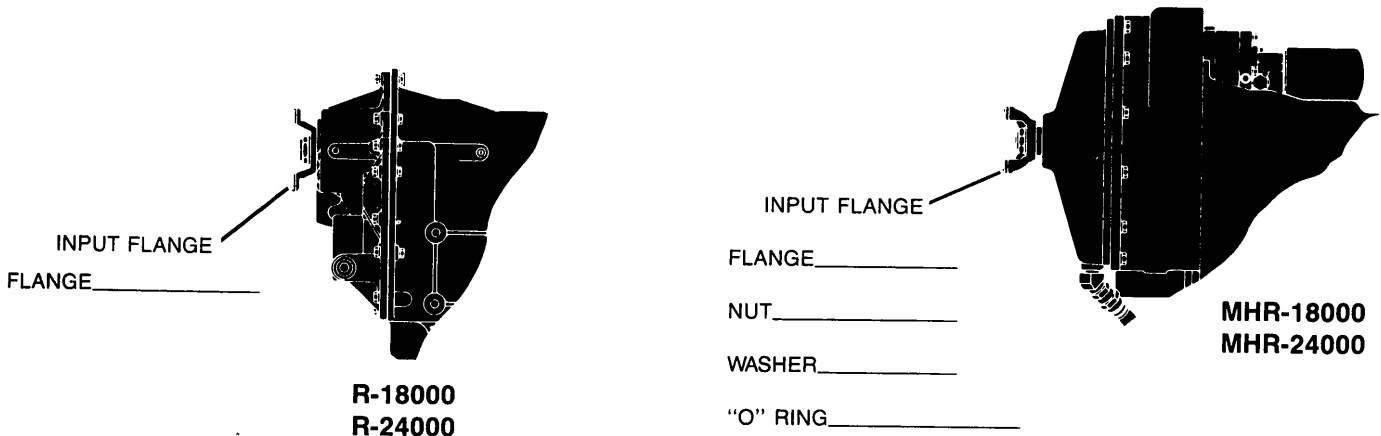
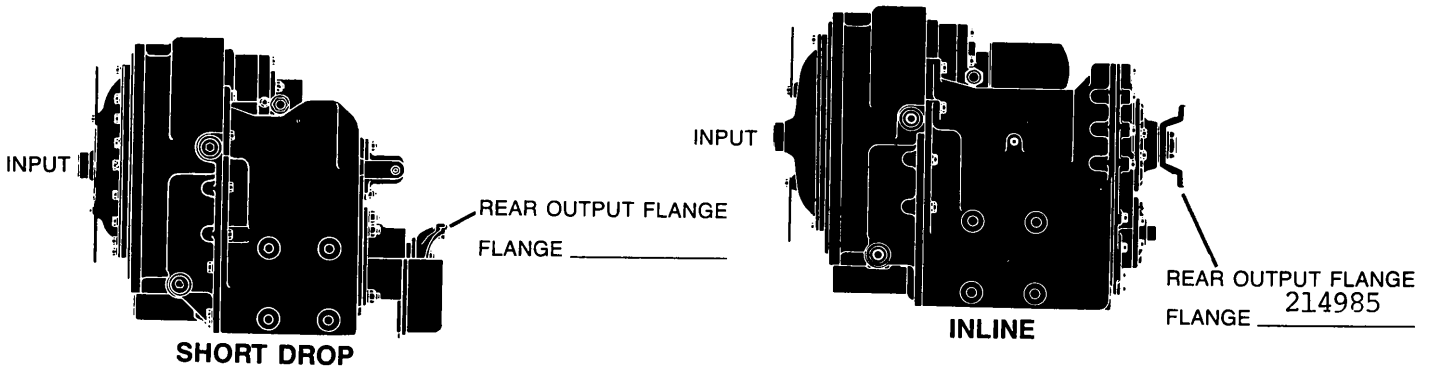
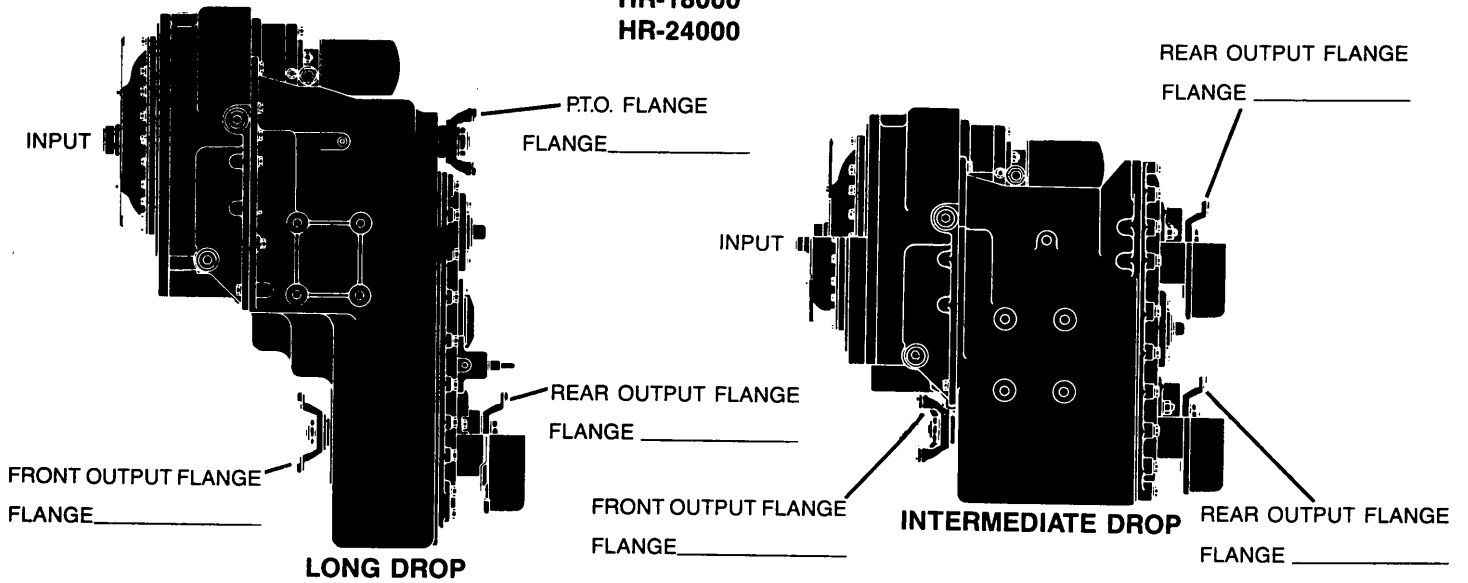
A Business Unit of Clark Equipment Company

MODEL NO. 11.2HRS18301-3

PART NO. 27531

DATE 11 October 1988

**HR-18000**  
**HR-24000**



## SPECIAL PARTS SECTION

GRP NO.	ITEM	QTY.	%	PART NO.	DESCRIPTION
18-74	31	1	D	240612	Reverse Clutch Gear & Ret. Ring Assy.-Inc. Item #32
18-74	32	1		240617	Retaining Ring
18-92	29	1	D	241143	Low Shaft Gear, Hub, & Ret. Ring Assy.-Inc. Item #30
18-92	30	1		240617	Retaining Ring
18-124	31	1	D	240712	3rd Gear, Hub, & Ret. Ring-Inc. Item #32
18-124	32	1		240617	Retaining Ring

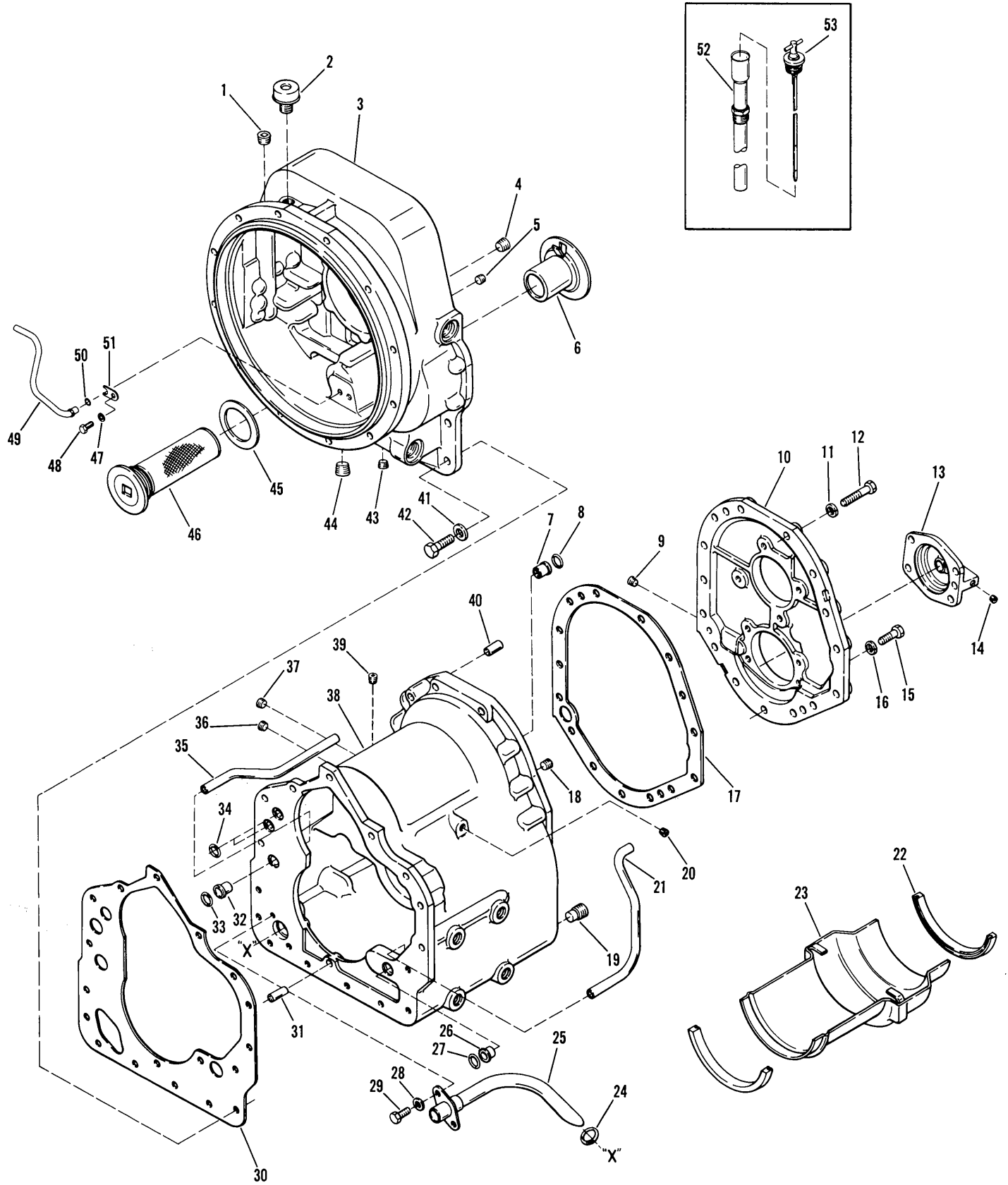
### NOT ILLUSTRATED PARTS

1	221391	Name Plate
2	207873	Name Plate Screw

% - Parts Stock Recommendation  
AR - As Required  
NI - Not Illustrated

(Group numbers not a serviceable item, reference only).

18000 CONVERTER HOUSING & CASE GROUP - INLINE



18000  
CONVERTER HOUSING, TRANS. CASE,  
& REAR COVER GROUP  
INLINE - LESS DIPSTICK MODULATION (SPECIAL DRAIN PLUG)

CLARK MODEL: 242327 Group

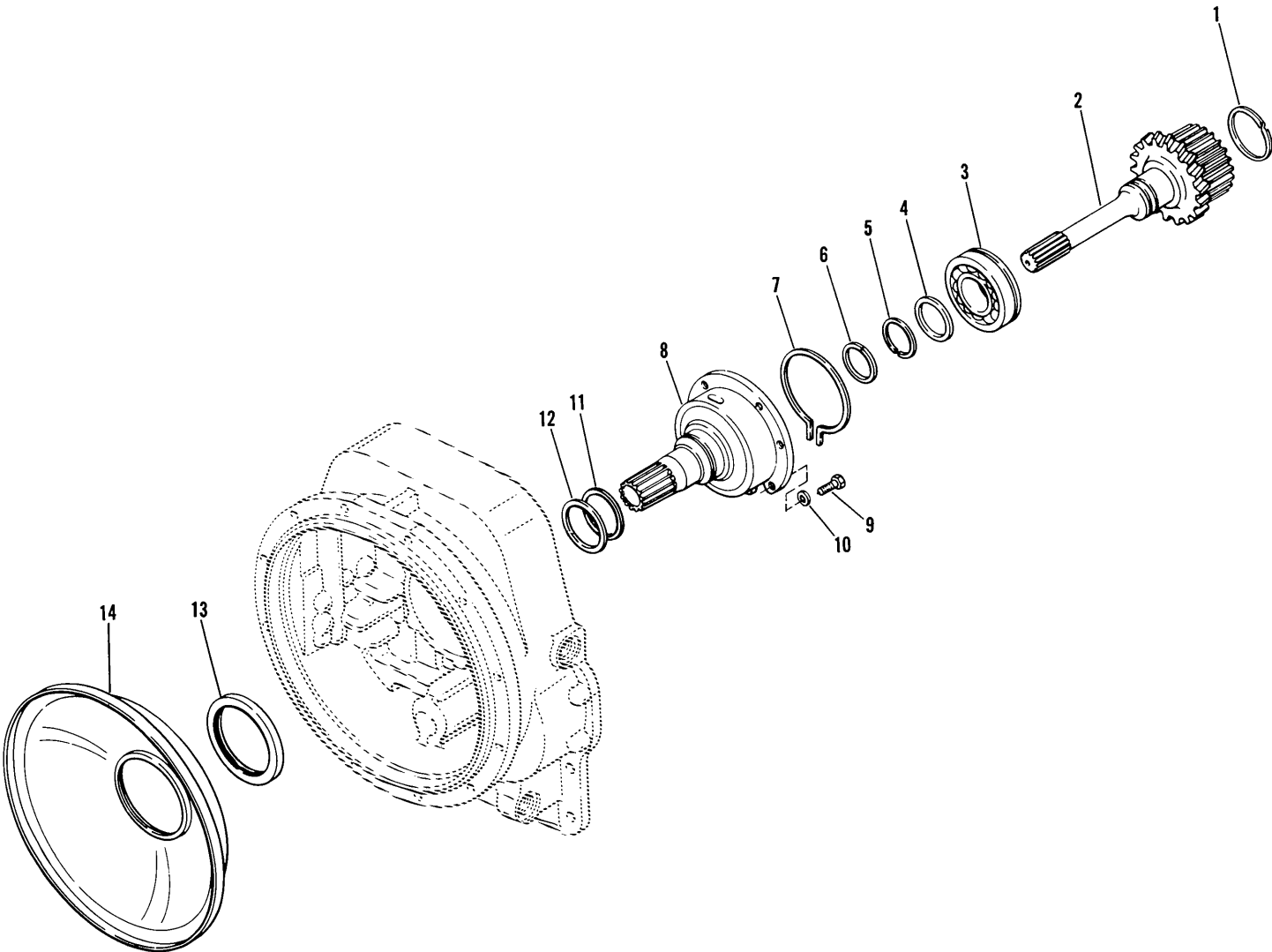
<u>ITEM</u>	<u>QTY</u>	<u>PART NO</u>	<u>%</u>	<u>DESCRIPTION</u>
1	1	239245		Pipe Plug
2	1	238535	C	Air Breather
3	1	4200142	E	Converter Hsg. Assy.-Incl. Items 47 thru 51
4	1	11F-08		Pipe Plug
5	1	239244		Pipe Plug
6	1	234265	E	Converter Housing Sleeve
7	1	222067		Tube Sleeve
8	1	60K-40026	C	Pressure Tube "O" Ring
9	1	239244		Cover Pipe Plug
10	1	235744		Rear Cover & Plug Assy.-Incl. Item 9
11	9	4E-07		Rear Cover to Case Screw Lockwasher
12	9	1C-728		Rear Cover to Case Screw
13	1	244603		Low Shaft Rear Bearing Cap Assy.-Incl. Item 14
14	1	24K-02		Plug - Incl. in Item 13
15	6	1C-720		Rear Cover to Case Screw
16	6	4E-07		Rear Cover to Case Screw Lockwasher
17	1	234161	B	Rear Cover to Case Gasket
18	1	239245		Pipe Plug
19	2	4200137		Magnetic Drain Plug
19A	2	4200140		Drain Plug Washer - Not Illustrated
20				Not Used On This Model
21	1	237861		Clutch Lube Tube
22	2	234312	B	Oil Baffle Seal
23	1	234311		Oil Baffle

<u>ITEM</u>	<u>QTY</u>	<u>PART NO</u>	<u>%</u>	<u>DESCRIPTION</u>
24	1	60K-40104	B	Suction Line "O" Ring
25	1	234154		Suction Tube Assembly
26	1	221871		Tube Sleeve
27	1	60K-40026		Pressure Tube "O" Ring
28	2	4E-05		Retainer Screw Lockwasher
29	2	1C-510		Suction Line Retainer Screw
30	1	235297	B	Converter Housing to Trans. Case Gasket
31	1	214295		Dowel Pin
32	1	222067		Tube Sleeve
33	1	60K-40026		Pressure Tube "O" Ring
34	2	60K-30018	B	Clutch Pressure "O" Ring
35	1	234157		Low Speed Clutch Pressure Tube
36	1	239245		Pipe Plug
37	1	16F-06		Pipe Plug
38	1	238995	E	Trans. Case Assy-Incl. Items 7, 21 thru 26, 28,29,32,35
39	1	11F-12		Dipstick Hole Plug
40	2	214295		Case to Cover Dowel Pin
41	16	4E-07		Housing to Case Screw Lockwasher
42	16	1C-720		Housing to Case Screw
43	1	239244		Pipe Plug
44	1	11F-08		Pipe Plug
45	1	219373	C	Screen Assembly Gasket
46	1	231390	C	Screen Assembly
47	1	4E-05		Tube Clip Screw Lockwasher
48	1	1C-510		Tube Clip Screw
49	1	237441		Lube Bypass Tube

<u>ITEM</u>	<u>QTY</u>	<u>PART NO</u>	<u>%</u>	<u>DESCRIPTION</u>
50	1	60K-30016	B	Tube "O" Ring
51	1	237515		Tube Clip
52				Not Used On This Model
53				Not Used On This Model

% - Part Stock Recommendation

**18000 TURBINE SHAFT, STATOR SUPPORT  
& OIL BAFFLE GROUP**



16 March 83

Rev. 24 June 83

CLARK MODEL: 234402 Group

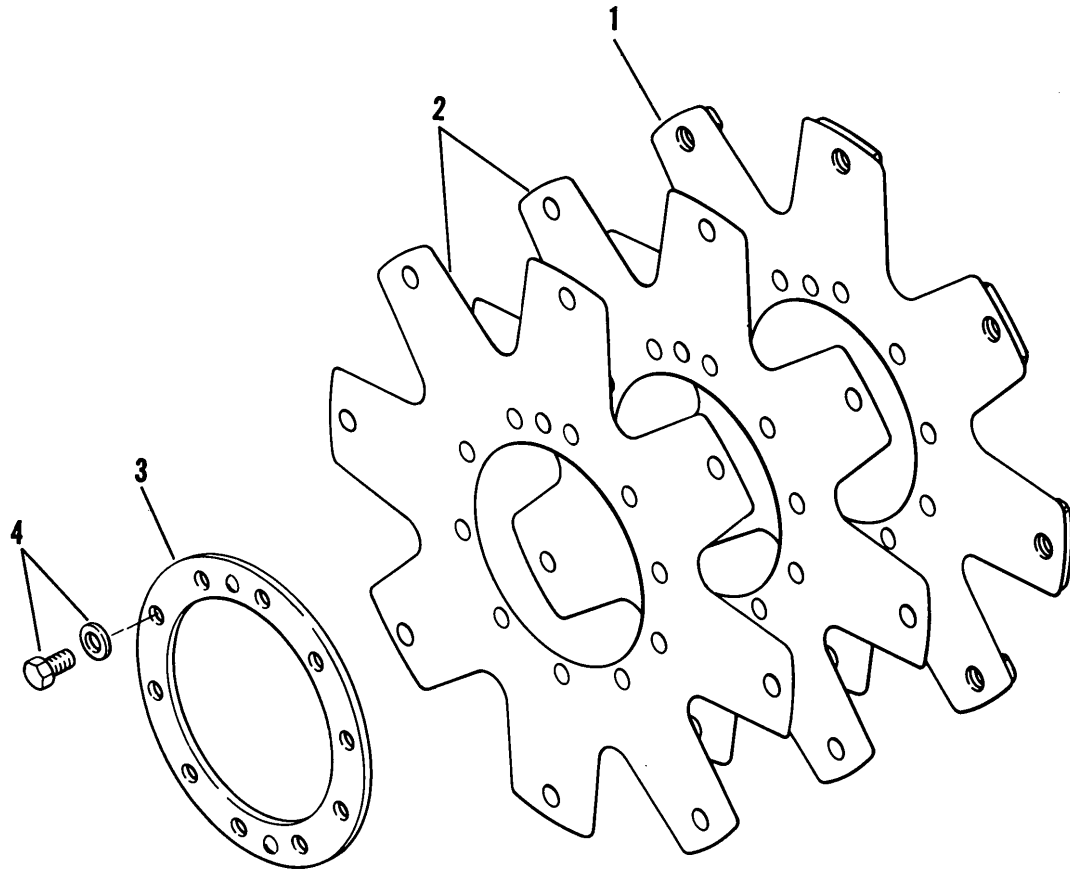
18000  
Turbine Shaft Stator Support,  
& Oil Baffle Group

<u>ITEM</u>	<u>QTY.</u>	<u>PART NO.</u>	<u>%</u>	<u>DESCRIPTION</u>
1	1	240617		Retaining Ring - Incl. in Item #2
2	1	240598	D	Turbine Shaft & Ret. Ring Assy.- Incl. Item #1
3	1	239742	C	Turbine Shaft Bearing
4	1	234230		Bearing Locating Washer
5	1	231776	C	Bearing Retaining Ring
6	1	223085	C	Piston Ring
7	1	234229	C	Bearing Snap Ring
8	1	241038		Stator Support
9	6	1C-616		Stator Support Screw
10	6	4E-06		Stator Support Screw Lockwasher
11	1	237378	C	Piston Ring Expander Spring
12	1	237377	C	Piston Ring
13	1	235593	B	Oil Seal
14	1	234362	E	Oil Baffle Assembly

% - Part Stock Recommendation

GRP-18-11 (Rev. 6-83)

18000 DRIVE PLATE GROUP



Rev. 24 April 87

16 March 83

CLARK MODEL: 237206 Group

18000

Drive Plate Group

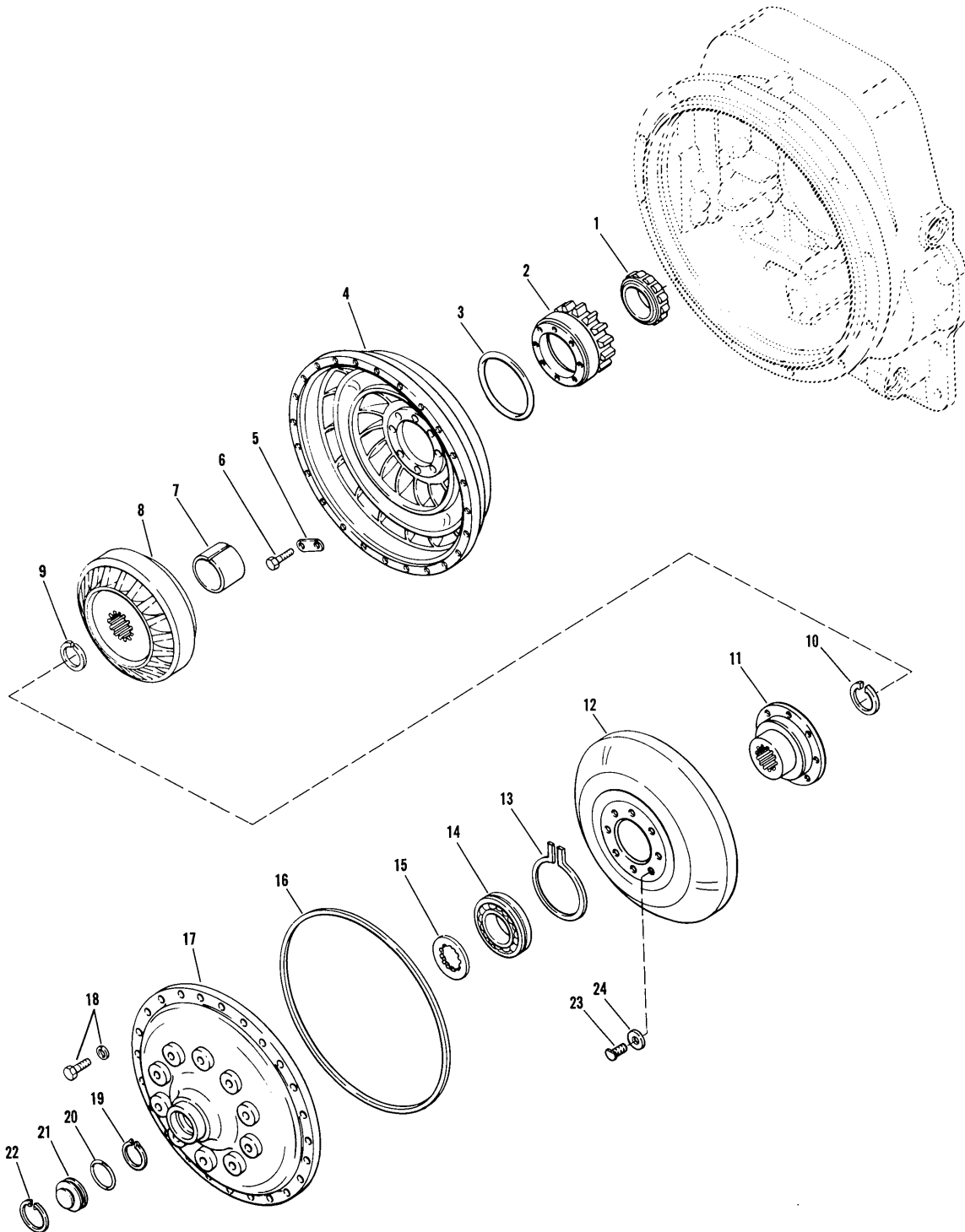
<u>ITEM</u>	<u>QTY.</u>	<u>PART NO.</u>	<u>%</u>	<u>DESCRIPTION</u>
1	1	802229	E	Drive Plate Assy - Incl. Items 2 thru 5
2		N.S.S.		Driveplate - Incl. in Item 1
3	1	234286		Driveplate Backing Ring
4	10	5C-612		Driveplate Mounting Screw & Lockwasher

N.S.S. - Not Sold Separately

% - Part Stock Recommendation

GRP-18-21 (2-83)

18000 TORQUE CONVERTER ASSEMBLY  
STEEL TURBINE HUB



18000  
TORQUE CONVERTER ASSEMBLY  
11.2 WHEEL SIZE, STEEL TURBINE HUB

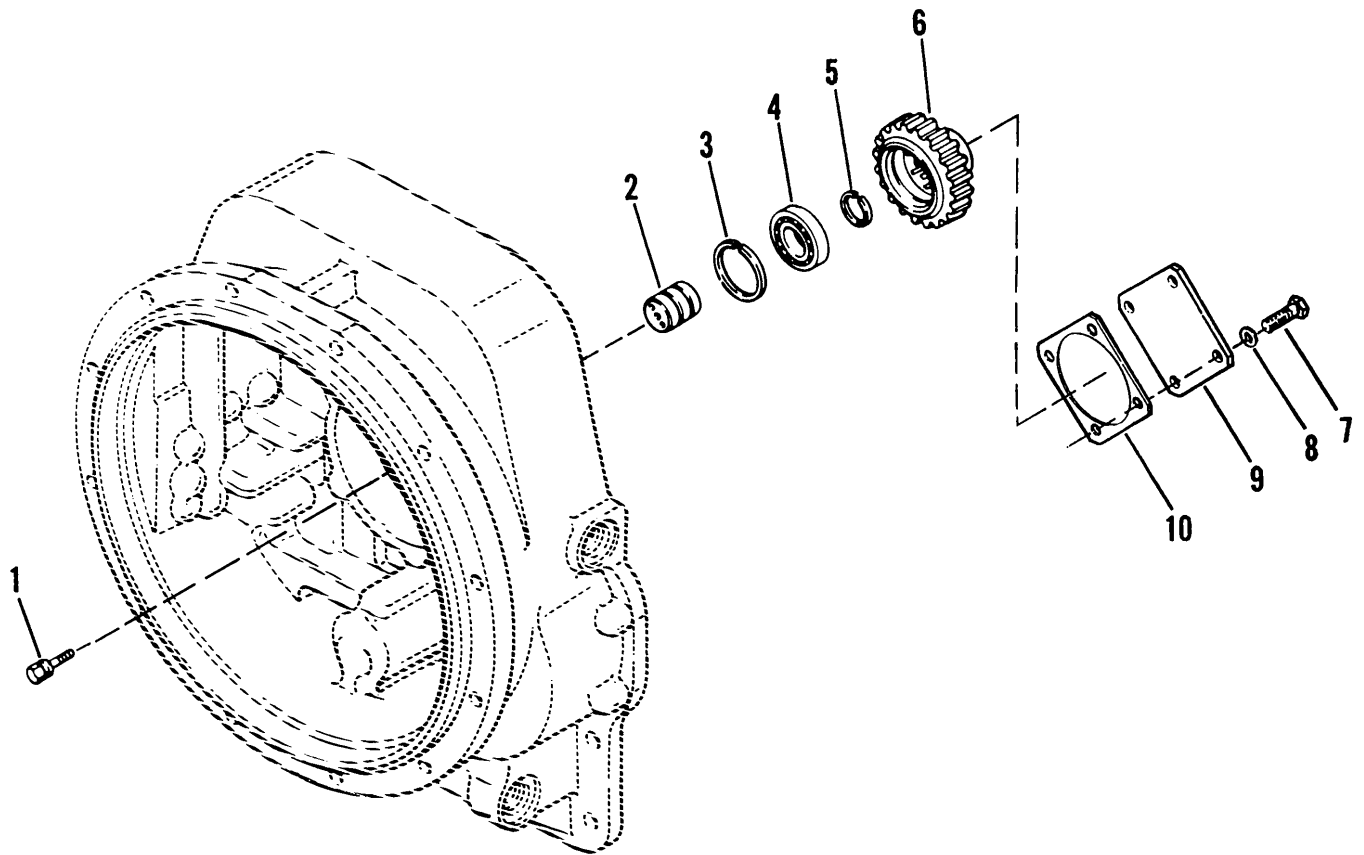
<u>ITEM</u>	<u>QTY</u>	<u>PART NO</u>	<u>%</u>	<u>DESCRIPTION</u>
1	1	231624	C	Impeller Hub Gear Bearing
2	1	236582	D	Impeller Hub Gear
3	1	234973	C	Impeller Hub "O" Ring
4	1	235214	E	Impeller
5	4	234210		Impeller to Hub Screw Lock Tab
6	8	18C-612		Impeller to Hub Screw
7	1	234226		Impeller to Hub Bearing Spacer
8	1	239774	E	Reaction Member
9	1	664141	C	Retaining Ring
10	1	1300688	C	Turbine Retaining Ring
11	1	239627	C	Turbine Hub
12	1	239775	E	Turbine
13	1	234216	C	Turbine Hub Bearing Locating Ring
14	1	234215	C	Turbine Hub Bearing
15	1	235591		Bearing Retaining Washer
16	1	234237	B	Impeller to Cover "O" Ring
17	1	802041	C	Impeller Cover - Include Item #22
18	18	5C-516		Impeller to Cover Screw & Lockwasher
19	1	1300688		Turbine Retaining Ring
20	1	60K-30114	B	Impeller Cover Bore Plug "O" Ring
21	1	223015		Bore Plug
22	1	1321234	C	Bore Plug Retaining Ring
23	12	209313		Turbine to Hub Screw
24	12	215909		Turbine to Hub Screw Washer

% - Part Stock Recommendation

**CLARK**

**CLARK**

**18000  
AUXILIARY PUMP DRIVE GROUP**



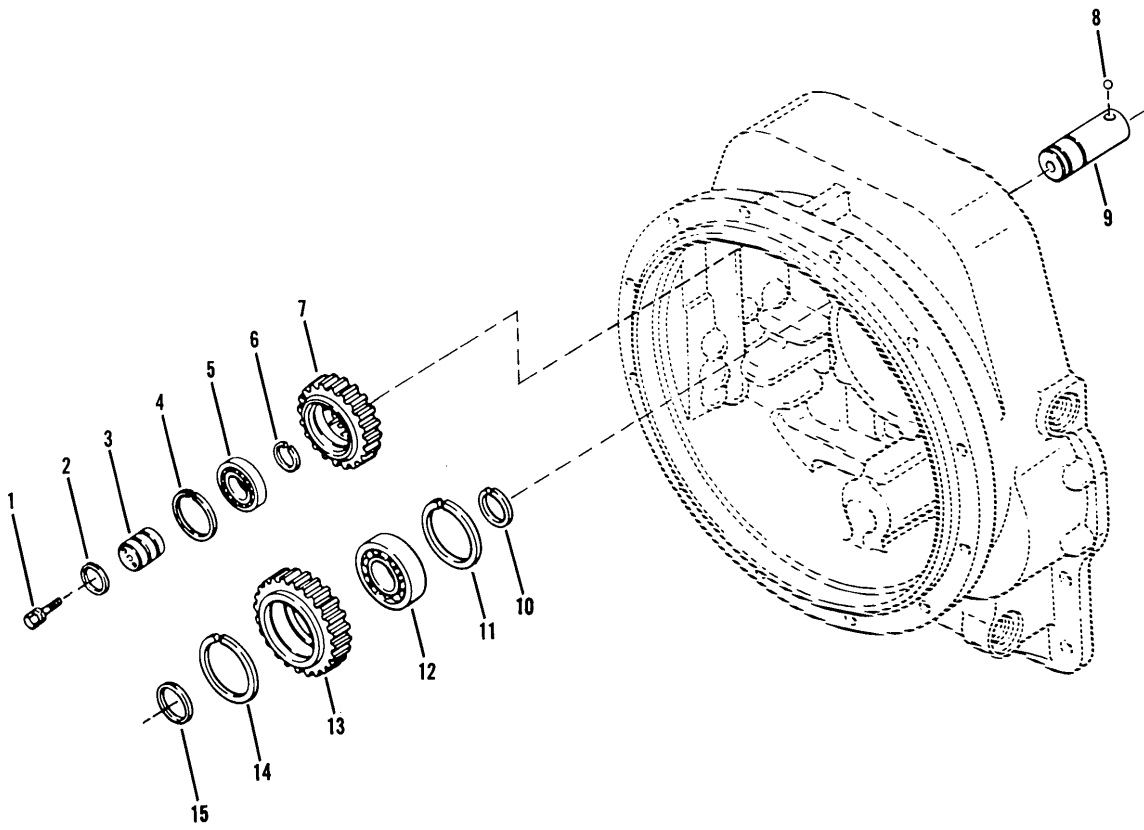
CLARK MODEL: 234404 Group

18000  
Aux. Pump Drive Parts Group

<u>ITEM</u>	<u>QTY.</u>	<u>PART NO.</u>	<u>%</u>	<u>DESCRIPTION</u>
1	2	5C-620		Bearing Support Screw & Lockwasher
2	1	234327	D	Auxiliary Pump Drive Bearing Support
3	1	223878	C	Bearing Retaining Ring
4	1	238222	C	Pump Drive Gear Bearing
5	1	234908	C	Bearing Locating Ring
6	1	236585	D	Auxiliary Pump Drive Gear
7	2	1C-812		Pump Mtg. Cover Capscrew
8	2	4E-08		Pump Mtg. Cover Capscrew Lockwasher
9	1	238554		Pump Mtg. Cover
10				Not Used On This Model

% - Part Stock Recommendation

**18000 CHARGING PUMP DRIVE GROUP**



18000  
Charging Pump Drive Group

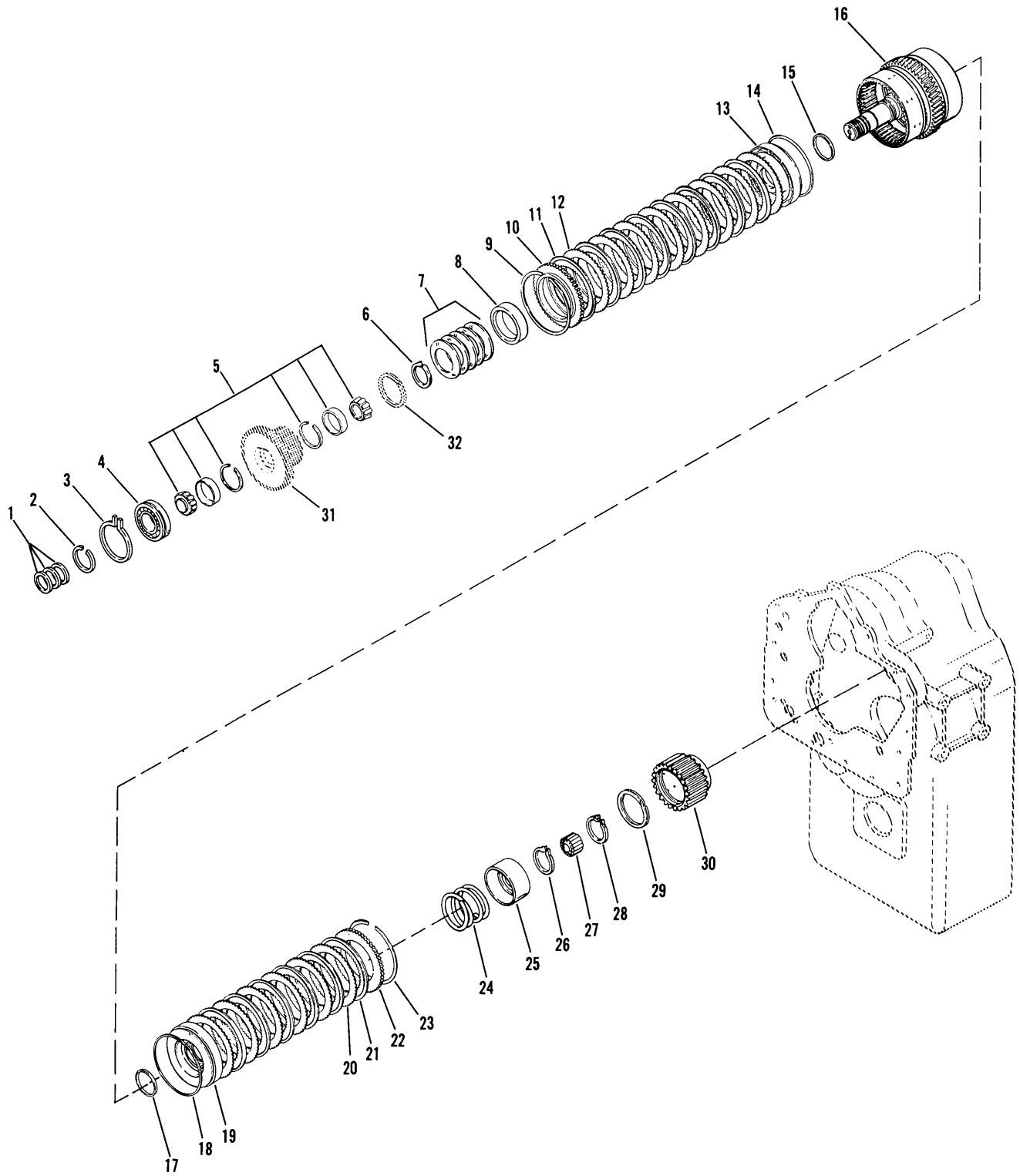
<u>ITEM</u>	<u>QTY.</u>	<u>PART NO.</u>	<u>%</u>	<u>DESCRIPTION</u>
1	2	5C-620		Bearing Support Screw & Lockwasher
2	1	234908	C	Bearing Locating Ring
3	1	234327	D	Pump Drive Bearing Support
4	1	223922	C	Bearing Retaining Ring
5	1	743458	C	Pump Drive Gear Bearing
6	1	234908	C	Bearing Locating Ring
7	1	236584	D	Pump Drive Gear
8	1	10J-08		Stub Shaft Lock Ball
9	1	234248	D	Idler Gear Stub Shaft
10	1	234908		Bearing Locating Ring
11	1	223878	C	Bearing Retaining Ring
12	1	238222	C	Idler Stub Shaft Bearing
13	1	236583	D	Pump Drive Idler Gear
14	1	223878		Idler Gear Bearing Retaining Ring
15	1	234908		Idler Gear Bearing Locating Ring

% - Part Stock Recommendation

GRP-18-51 (Rev. 10-87)

**18000**

**REVERSE & 2ND SHAFT GROUP - 3 SPEED**



12 March 86

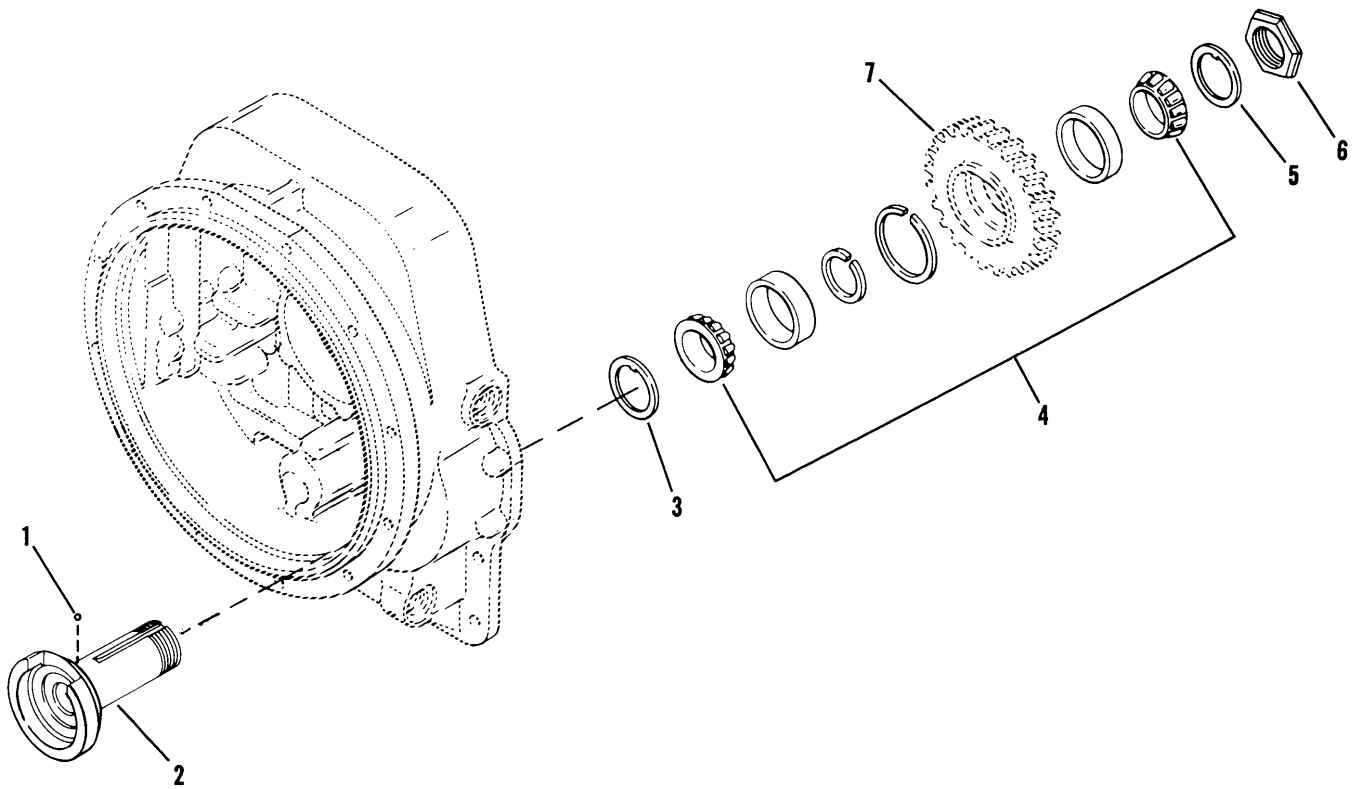
CLARK MODEL: 239224 Group

18000  
 Rev. & 2nd Shaft Group  
 3-Speed - Bronze Plates  
 Belleville Springs

<u>ITEM</u>	<u>QTY</u>	<u>PART NO</u>	<u>%</u>	<u>DESCRIPTION</u>
1	3	215183	B	Reverse & 2nd Shaft Piston Ring
2	AR	238999	C	Front Bearing Retaining Ring
2A	AR	239000		Front Bearing Retaining Ring
2B	AR	239001		Front Bearing Retaining Ring
2C	AR	239002		Front Bearing Retaining Ring
2D	AR	239003		Front Bearing Retaining Ring
3	1	230889	C	Front Bearing Snap Ring
4	1	223349	C	Reverse & 2nd Shaft Front Bearing
5	1	238996		Clutch Driven Gear Bearing Assembly
6	1	237669	C	Spring Retainer Snap Ring
7	5	237443		Piston Return Belleville Springs
8	1	237442	D	Piston Return Spring Spacer
9	1	234111		Backing Plate Snap Ring
10	1	236847		Clutch Disc Backing Plate
11	8	237016		Clutch Inner Disc
12	8	234109		Clutch Outer Disc
13	1	237450		Clutch Piston
14	1	237032		Outer Clutch Piston Seal
15	1	234113		Inner Clutch Piston Seal
16	1	242373	E	Rev. & 2nd Shaft, Drum & Plug Assembly
17	1	234113		Inner Clutch Piston Seal
18	1	237032		Outer Clutch Piston Seal
19	1	236178		Clutch Piston
20	6	234109		Clutch Outer Disc
21	6	237016		Clutch Inner Disc

<u>ITEM</u>	<u>QTY</u>	<u>PART NO</u>	<u>%</u>	<u>DESCRIPTION</u>
22	1	236847		Clutch Disc Backing Plate
23	1	234111		Backing Plate Snap Ring
24	1	235960		Piston Return Spring
25	1	235959		Spring Retainer
26	1	234350		Spring Retainer Snap Ring
27	1	233065	C	Rev. & 2nd Shaft Rear Bearing
28	1	234347	C	2nd Clutch Disc Hub Snap Ring
29	1	240617		Retaining Ring - Inc. in Item #30
30	1	240626	D	2nd Clutch Disc Hub & Ret. Ring Assy.-Incl. Item #29
31			D	Rev. Clutch Gear & Retaining Ring Assy.-Incl. Item #32 - See Special Parts Section
32				Retaining Ring - Incl. in Item 31 - See Special Parts Section

**18000  
REVERSE IDLER GROUP**



21 March 1986

CLARK MODEL: 265091 Group

18000  
Reverse Idler Gear  
Hi Speed Reverse

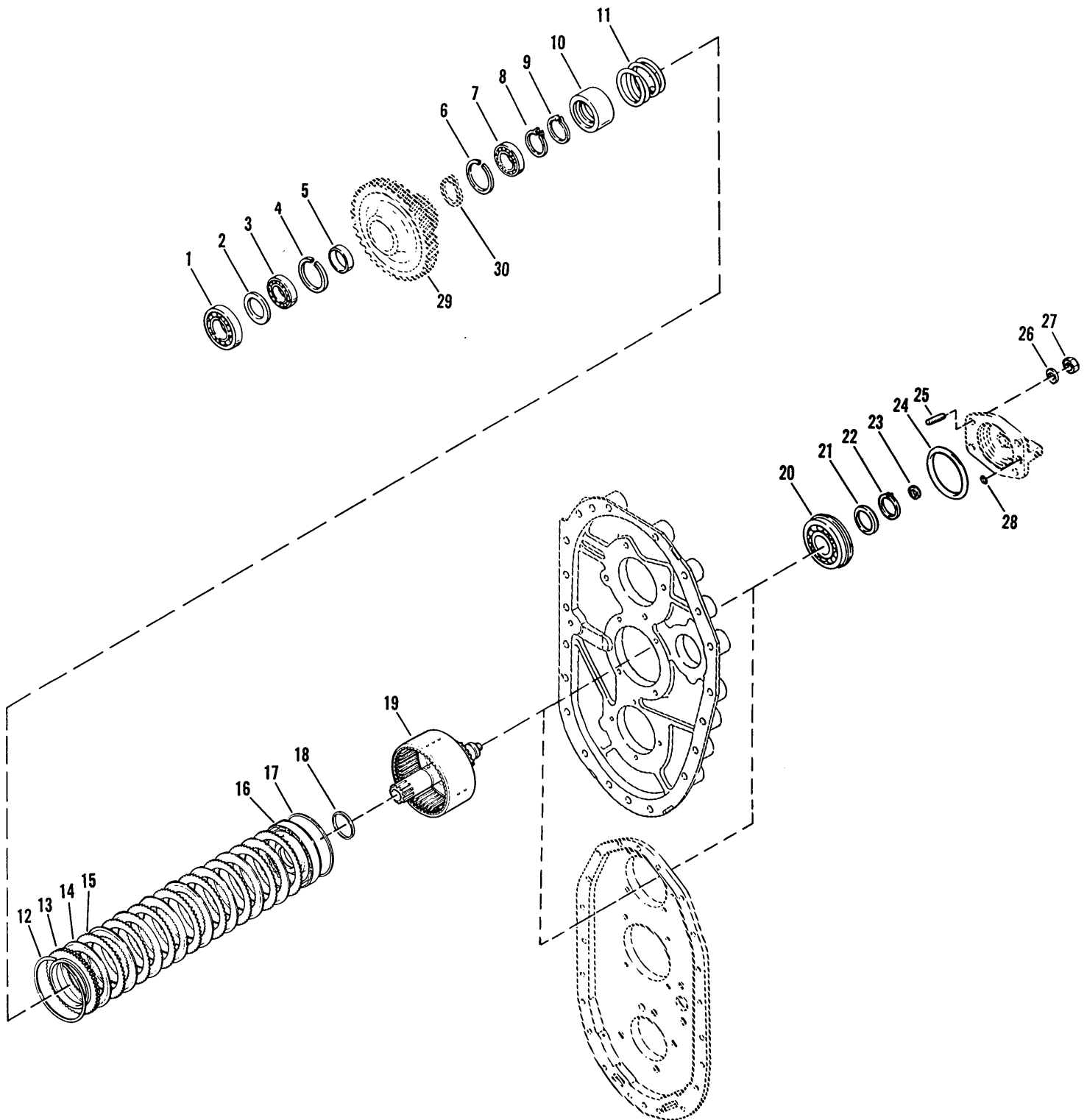
<u>ITEM</u>	<u>QTY</u>	<u>PART NO</u>	<u>%</u>	<u>DESCRIPTION</u>
1	1	10J-08		Idler Shaft Lockball
2	1	238910	D	Reverse Idler Shaft
3	1	238911		Reverse Idler Gear Brg. Thrust Plate
4	1	238885		Reverse Idler Gear Bearing Assembly
5	1	238911		Reverse Idler Gear Brg. Thrust Plate
6	1	201700		Bearing Retaining Plate Nut
7	1	238909	D	Reverse Idler Gear (47T)

% - Part Stock Recommendation

**CLARK**

**CLARK**

**18000  
LOW SPEED SHAFT GROUP  
3 SPEED**



12 Oct. 83

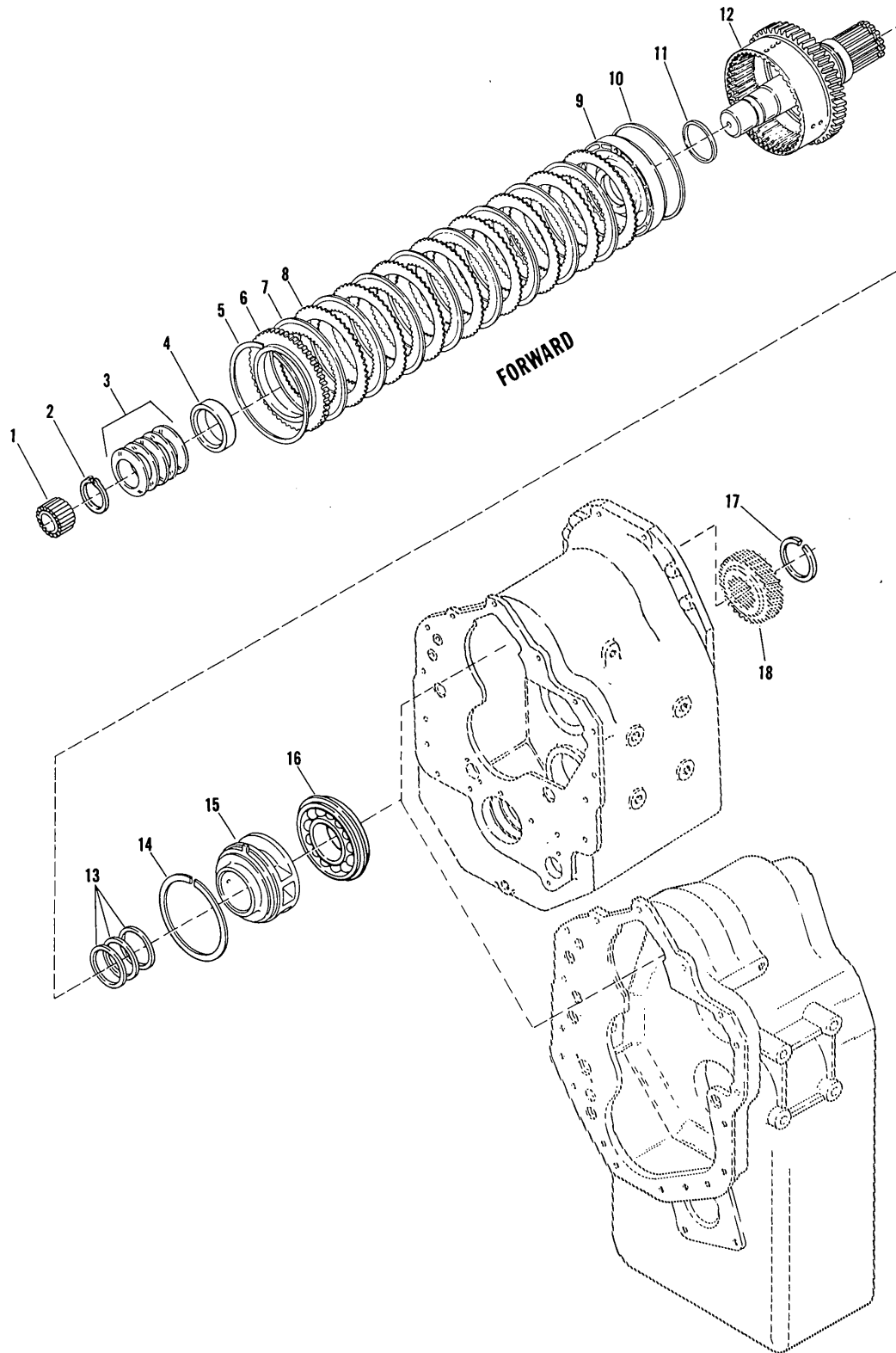
CLARK MODEL: 237629 Group

18000  
Low Speed Shaft Group  
3 Speed - Inline

<u>ITEM</u>	<u>QTY.</u>	<u>PART NO</u>	<u>%</u>	<u>DESCRIPTION</u>
1	1	225605	C	Low Speed Clutch Shaft Front Bearing
2	1	234145	D	Front Bearing Spacer
3	1	230885	C	Low Speed Gear Bearing
4	1	223964	C	Low Speed Gear Bearing Locating Ring
5	1	234305	D	Low Speed Gear Spacer
6	1	223964		Low Speed Gear Bearing Locating Ring
7	1	230885		Low Speed Gear Bearing
8	1	234347		Low Speed Gear Bearing Retaining Ring
9	1	234350		Spring Retainer Snap Ring
10	1	235959		Spring Retainer
11	1	235960		Piston Return Spring
12	1	234111	D	Backing Plate Snap Ring
13	1	236847	E	Clutch Disc Backing Plate
14	8	234336	C	Clutch Inner Disc
15	8	234109	C	Clutch Outer Disc
16	1	236150	D	Clutch Piston
17	1	237032	B	Outer Clutch Piston Ring
18	1	234113	B	Inner Clutch Piston Seal
19	1	237211	E	Low Clutch Shaft Drum & Bleed Valve Assy.
20	1	239741	C	Low Speed Shaft Rear Bearing
21	1	234230		Rear Bearing Support Washer
22	1	234347		Rear Bearing Retaining Ring
23	1	234130	B	Low Shaft Piston Ring
24	1	60K-40420	B	Rear Bearing Cap "O" Ring

<u>ITEM</u>	<u>QTY.</u>	<u>PART NO.</u>	<u>%</u>	<u>DESCRIPTION</u>
25	4	238901		Bearing Cap Stud
26	4	4E-07		Bearing Cap Stud Lockwasher
27	4	62D-07		Bearing Cap Stud Nut
28	1	60K-30012	B	Bearing Cap "O" Ring
29			D	Low Shaft Gear, Hub & Ret. Ring Assy. - Incl Item #30 - See Special Parts Section
30				Retaining Ring - Incl. in Item #29. See Special Parts Section

**18000 FORWARD SHAFT GROUP**



5 May 86

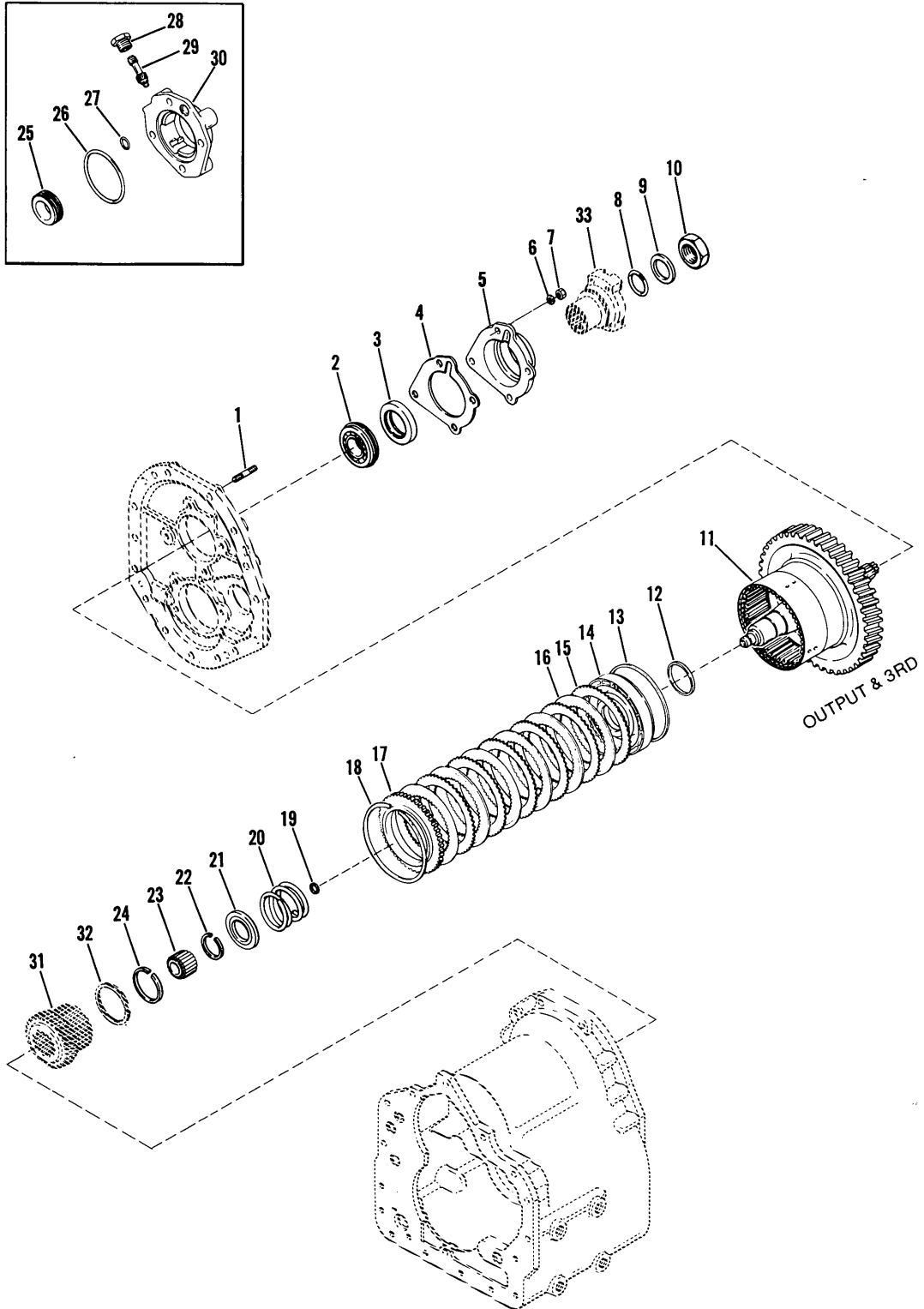
CLARK MODEL: 239225 Group

18000  
 FORWARD SHAFT GROUP  
 BRONZE PLATES - 3 SPEED  
 BELLEVILLE SPRINGS - INLINE

<u>ITEM</u>	<u>QTY</u>	<u>PART NO</u>	<u>%</u>	<u>DESCRIPTION</u>
1	1	235763	C	Forward Shaft Pilot Bearing
2	1	237669		Spring Retaining Snap Ring
3	5	237443		Piston Return Spring
4	1	237442		Piston Return Spring Spacer
5	1	234111	D	Backing Plate Snap Ring
6	1	236847	E	Clutch Disc Backing Plate
7	8	237016	C	Clutch Inner Disc
8	8	234109	C	Clutch Outer Disc
9	1	237450	D	Clutch Piston
10	1	237032	B	Clutch Piston Ring - Outer
11	1	234113	B	Clutch Piston Seal - Inner
12	1	239011	E	Forward Shaft, Drum & Plug Assembly
13	4	222104	B	Forward Shaft Piston Ring
14	1	235764	C	Piston Ring Sleeve Retaining Ring
15	1	4200335	D	Piston Ring Sleeve
15A	1	4200125		Piston Sleeve Roll Pin Not Illustrated
16	1	238993	C	Forward Shaft REar Bearing
17				Not Used On This Model
18				Not Used On This Model

% - Part Stock Recommendation

**18000 OUTPUT & 3RD CLUTCH GROUP - 3 SPEED INLINE**



22 Mar 84

CLARK MODEL: 237630 Group

18000  
 OUTPUT & 3RD SHAFT CLUTCH GROUP  
 INLINE - LESS BRAKE

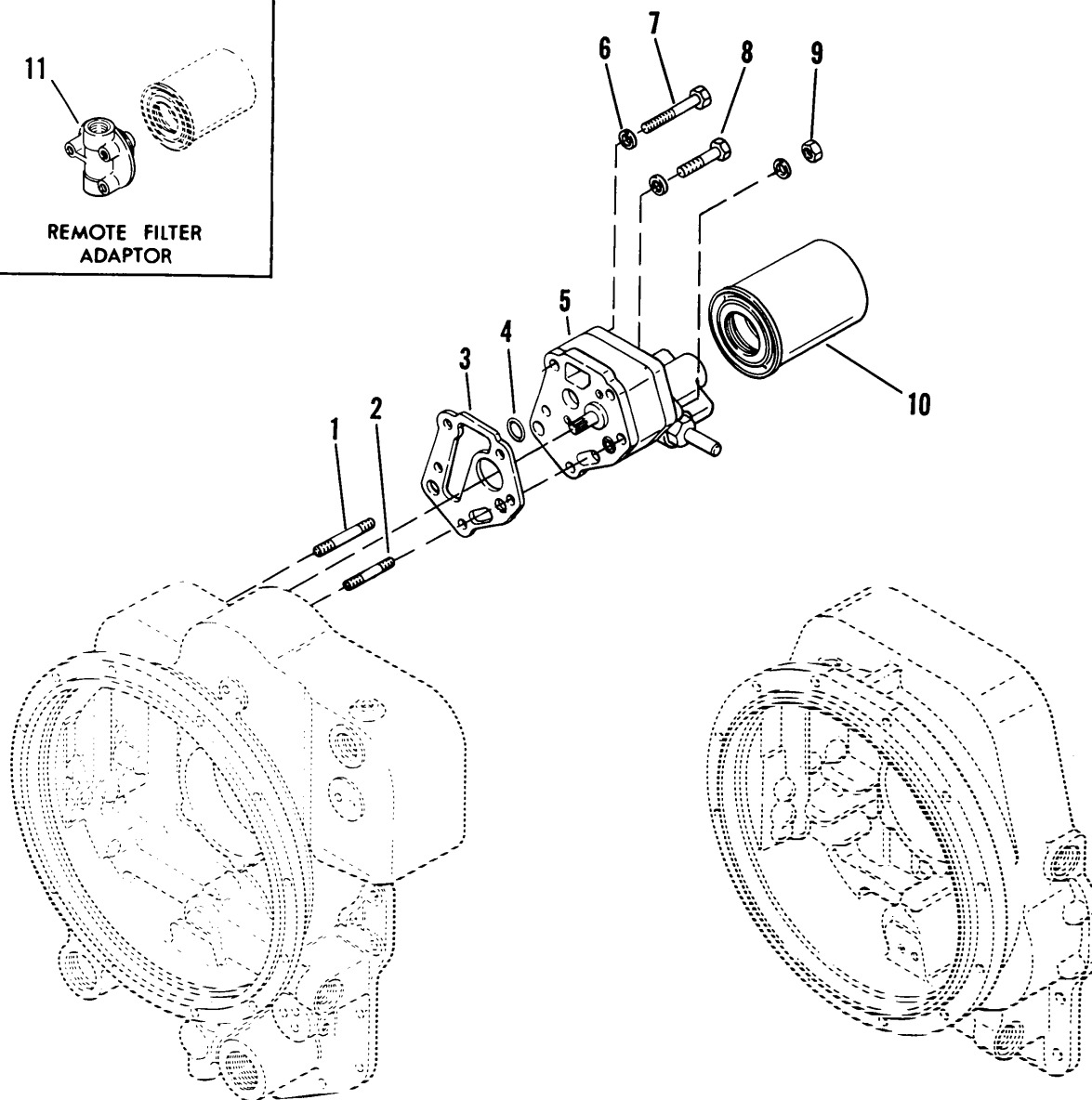
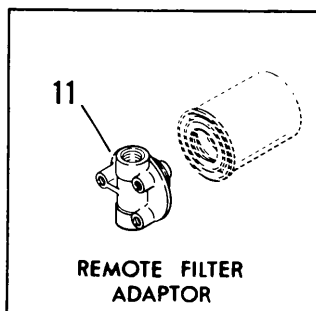
<u>ITEM</u>	<u>QTY.</u>	<u>PART NO.</u>	<u>%</u>	<u>DESCRIPTION</u>
1	4	238903		Output Rear Bearing Cap Stud
2	1	225602	C	Output Shaft Rear Bearing
3	1	235751	B	Rear Bearing Cap Oil Seal
4	1	234922		Rear Bearing Cap Gasket
5	1	242147		Output Shaft Rear Bearing Cap
6	4	4E-09		Bearing Cap Stud Lockwasher
7	4	62D-09		Bearing Cap Stud Nut
8	1	60K-40112	B	Flange "O" Ring
9	1	102745		Flange Washer
10	1	216058		Flange Nut
11	1	237208	E	Output & 3rd Clutch Shaft, Drum & Plug Assy.
12	1	234113		Inner Clutch Piston Seal
13	1	237032		Outer Clutch Piston Seal
14	1	236178		Clutch Piston Assembly
15	6	234109		Clutch Outer Disc
16	6	237016		Clutch Inner Disc
17	1	236847		Clutch Disc Backing Plate
18	1	234111		Backing Plate Snap Ring
19	1	234130	B	Output Shaft Piston Ring
20	1	235960		Piston Return Spring
21	1	235959		Spring Retainer
22	1	234350		Spring Retainer Snap Ring
23	1	234132	C	Pilot Bearing
24	1	238034	C	3rd Gear & Hub Retainer Ring

<u>ITEM</u>	<u>QTY</u>	<u>PART NO</u>	<u>%</u>	<u>DESCRIPTION</u>
25 thru 30				Not Used On This Model
31				3rd Gear & Hub Assembly - See Special Parts Section
32				Retaining Ring - Included in Item #31 - See Special Parts Section
33				Output Flange - See Front Sheet

% - Part Stock Recommendation

GRP-18-124 (Rev. 2-84)

**18000 CHARGING PUMP & FILTER ASSEMBLY GROUP**



18000

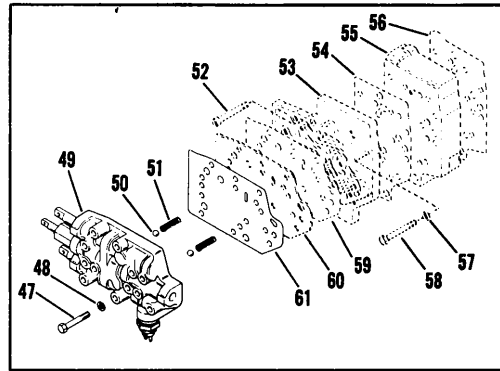
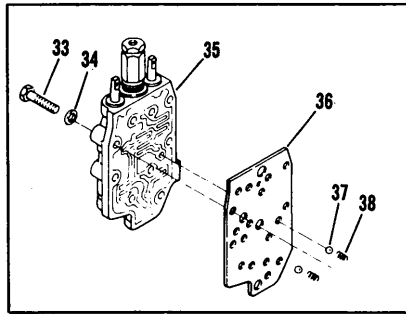
CHARGING PUMP &  
FILTER ASSY. GROUP  
WITH REMOTE FILTER.

<u>ITEM</u>	<u>QTY.</u>	<u>PART NO.</u>	<u>%</u>	<u>DESCRIPTION</u>
1	1	238899		Pump Mounting Stud
2	1	238900		Pump Mounting Stud
3	1	235283	B	Pump Assembly to Conv. Housing Gasket
4	1	60K-30018	B	"O" Ring
5	1	237567	D	Charging Pump Assembly
6	5	4E-07		Pump Mounting Screw Lockwasher
7	1	1C-772		Pump Mounting Screw
8	2	1C-764		Pump Mounting Screw
9	2	62D-07		Pump Mounting Stud Nut
10				Not Used On This Model

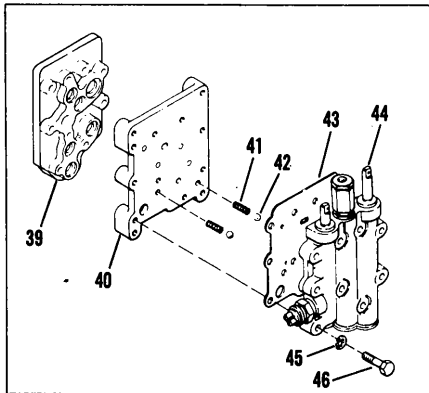
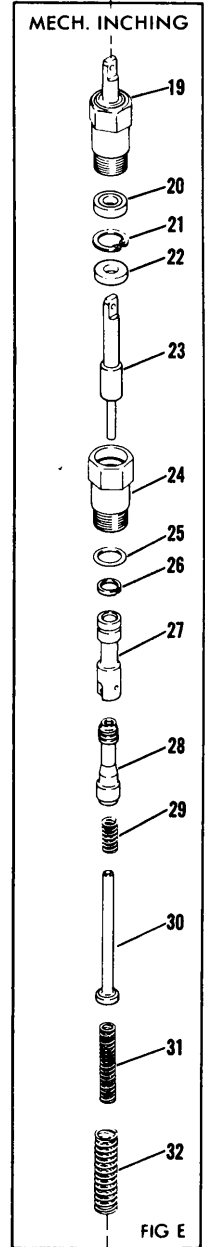
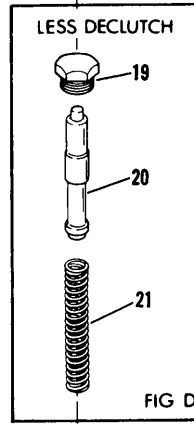
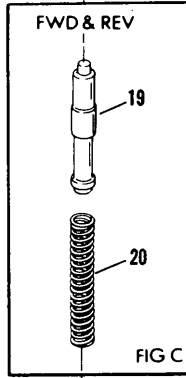
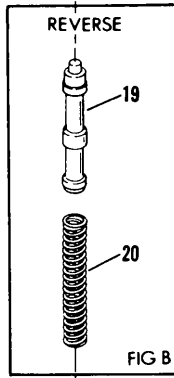
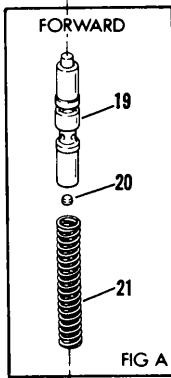
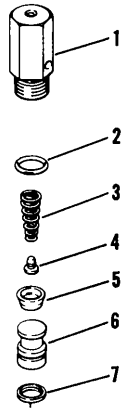
% - Part Stock Recommendation

GRP-18-131 (2-83)

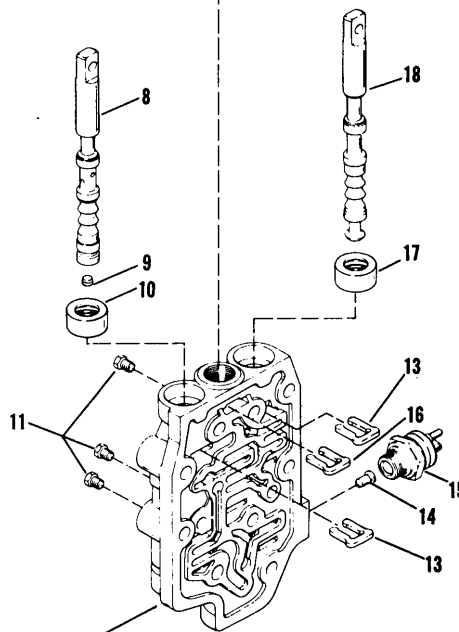
18000 HYDRAULIC CONTROL VALVE ASSEMBLY GROUP



ROTATED VALVE



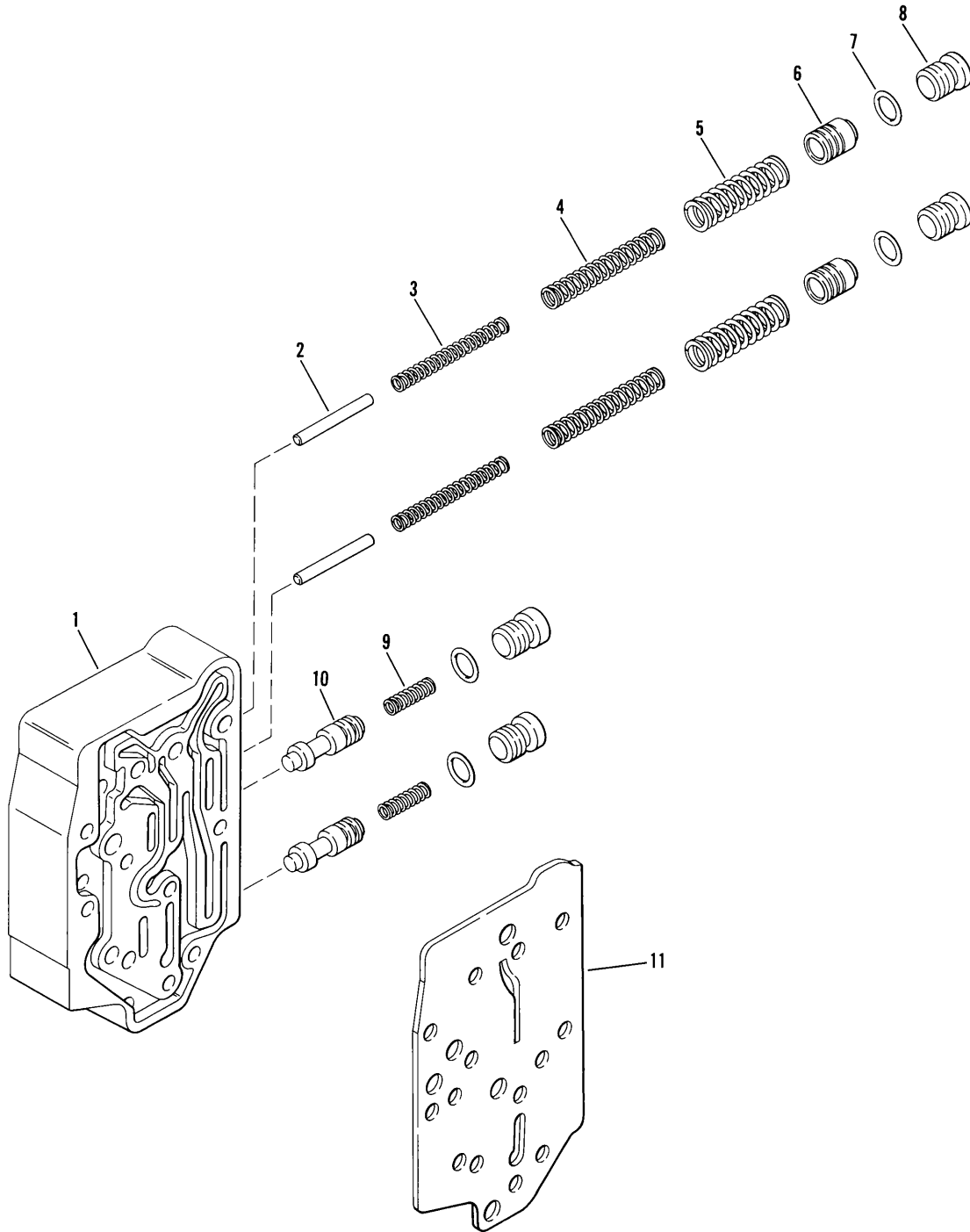
REMOTE VALVE



HYDRAULIC DECLUTCH

18000  
CONTROL VALVE GROUP  
LESS DECLUTCH - 3 SPEED

<u>ITEM</u>	<u>QTY</u>	<u>PART NO</u>	<u>%</u>	<u>DESCRIPTION</u>
1 thru 7				Not Used On This Model
8	1	239356	E	Speed Selector Spool & Plug Assy.-Incl. Item 9
9	1	239243		Plug - Inc. in Item 8
10	1	234650	B	Oil Seal
11	3	40K-02		Pipe Plug
12	1	239357	D	Control Valve Housing Assy-Incl. Items 8 thru 15, 17,18
13	2	234170		Valve Spool Stop
14	1	233779		Switch Actuating Pin
15	1	233778	C	Neutral Switch
16	1	234170		Valve Spool Stop
17	1	234650		Oil Seal
18	1	239354	E	Forward & Reverse Valve Spool
19	1	24K-7		Plug
20	1	234185	E	Valve Spool - Figure "D"
21	1	234181	E	Control Valve Spring - Figure "D"
22 thru 32				Not Used On This Model
33	9	1C-660		Valve to Converter Housing Screw
34	9	4E-06		Valve to Converter Housing Screw Lockwasher
35	1	239358		Control Valve Assy-Incl. Items 12, 16, 19, 20 & 21
36	1	244002		Control Valve Gasket
37	2	10J-12		Detent Ball
38	2	235473		Detent Spring
39 thru 61				Not Used On This Model



MODULATOR VALVE ASSEMBLY 239359

<u>ITEM</u>	<u>QTY</u>	<u>PART NO</u>	<u>%</u>	<u>DESCRIPTION</u>
1	1	239359	E	Modulator Valve Assembly-Incl. Items 2 thru 10
2	2	239361	E	Accumulator Stop Pin
3				Not Used On This Model
4	2	239360	D	Accumulator Spring Middle
5	2	237878	D	Accumulator Spring Outer
6		N.S.S.		Accumulator Valve -Part of Item 1
7	4	91F-7	B	Spool Stop Plug "O" Ring
8	4	47K-7	E	Spool Stop Plug - Incl. Item 7
9	2	241670	D	Regulator Spring
10		N.S.S.		Regulator Spool - Part of Item 1
11	1	234279	B	Modulator Valve to Converter Housing Gasket

N.S.S. - Not Sold Separately

% - Part Stock Recommendation

SEV-468 (Rev. 10-78)

**GASKET AND SEALING KITS FOR  
CLARK POWER SHIFT TRANSMISSIONS AND CONVERTERS**

**CONVERTERS**

C & CL270 Series	Gasket and Sealing Kit	801227
C-2000 Series	Gasket and Sealing Kit	802131
C-5000 Series	Gasket and Sealing Kit	801776
C-8000 Series	Gasket and Sealing Kit	801788
CL-8000 Series	Gasket and Sealing Kit	801393
C-16000 Series	Gasket and Sealing Kit	801588

**18000 SERIES TRANSMISSIONS**

18000	Intermediate and Short Drop Transmission Gasket and Sealing Kit	802282
18000	Inline Transmission Gasket and Sealing Kit	801982
18000	Long Drop Transmission Gasket and Sealing Kit - 3, 4 and 6 speed	801981
18000	Converter Section Gasket and Sealing Kit - R, HR and MHR	801979

**28000 SERIES TRANSMISSIONS**

28000	Short Drop Transmission Section Gasket and Sealing Kit	801823
28000	Long Drop Transmission Gasket and Sealing Kit - 3, 4 and 6 speed	801825
28000	Converter Section Gasket and Sealing Kit - R, HR and MHR	801804
R 28000	Front Cover and Transmission Gasket and Sealing Kit - 3, 4 and 6 Speed	801801
28000	Hydraulic Brake Sealing Kit With P.T.O. at Brake	801805
28000	Low Clutch Snap Ring Kit - 3 Speed w/Special Ratio & 4 Speed	801819

**1000 SERIES TRANSMISSIONS**

3400 Series	Gasket and Sealing Kit	801605
4400 Series	Gasket and Sealing Kit	801838
540C/5800 Series	Gasket and Sealing Kit	801476
8400 Series	Gasket and Sealing Kit	801391
8800 Series	Gasket and Sealing Kit	801759
16400 Series	Gasket and Sealing Kit	801689

**(OVER FOR PART STOCK RECOMMENDATION)**